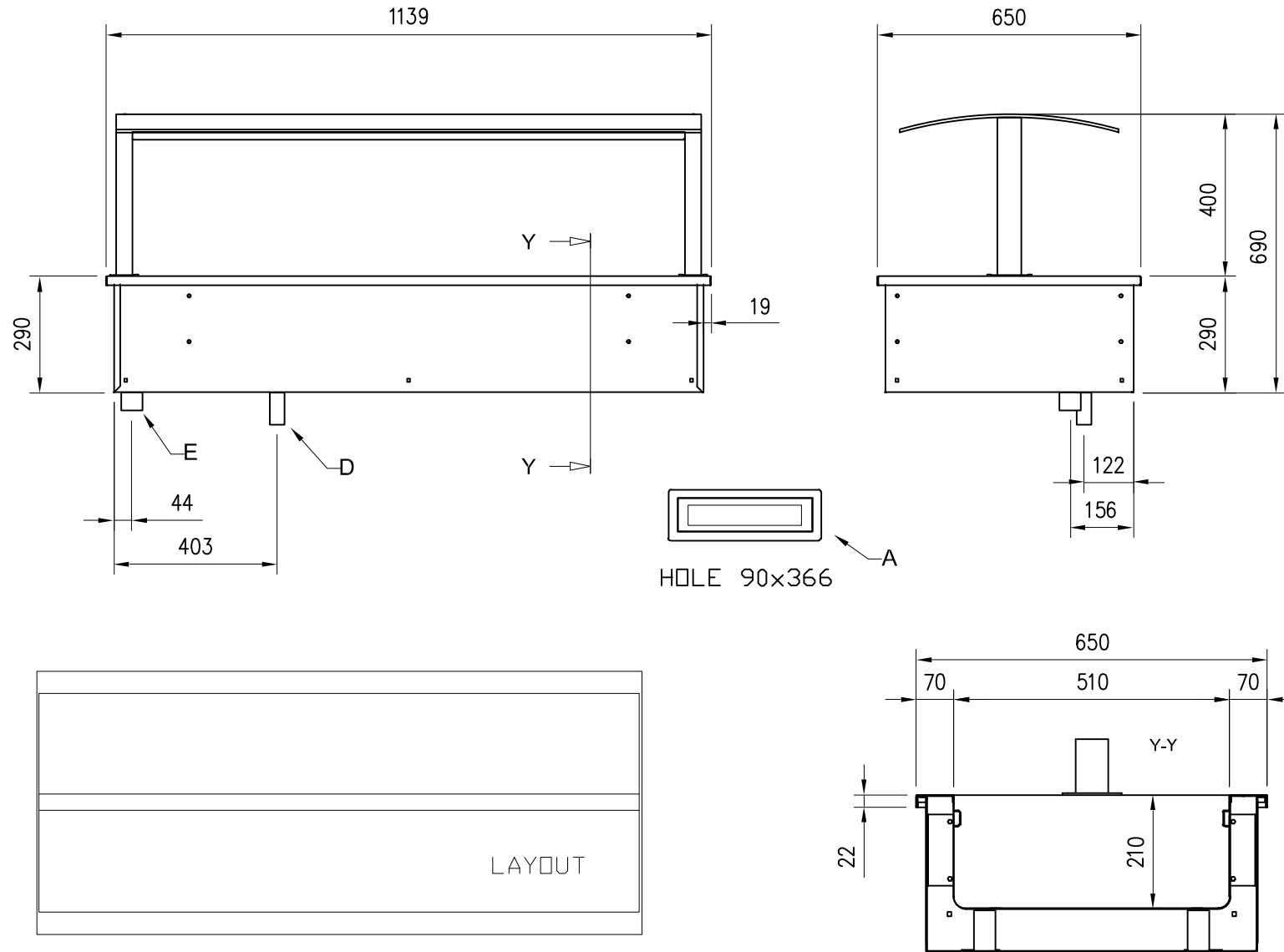


# Masszeichnung Bain-Marie SOUL-RED 3/1

[Art. 434800011]



A= ELECTRICAL CONNECTION  
D= WATER DISCHARGE G1/2"(M) ONLY BM  
E= WATER INLET G3/4"(M) ONLY BM